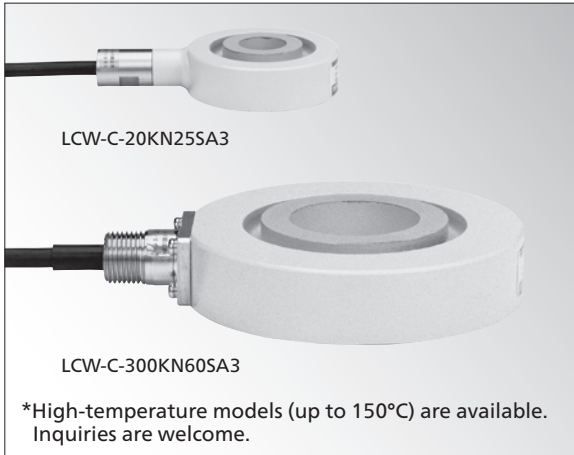


# LCW-C-SA3

## Washer-type Load Cell

● For press forming ● 10 to 300 kN

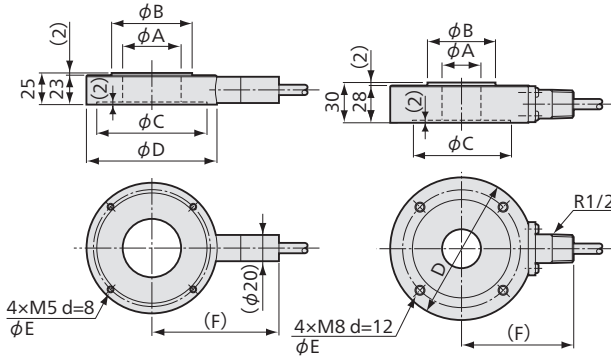


\*High-temperature models (up to 150°C) are available. Inquiries are welcome.

### Thin & high stability Wide range of rated capacities

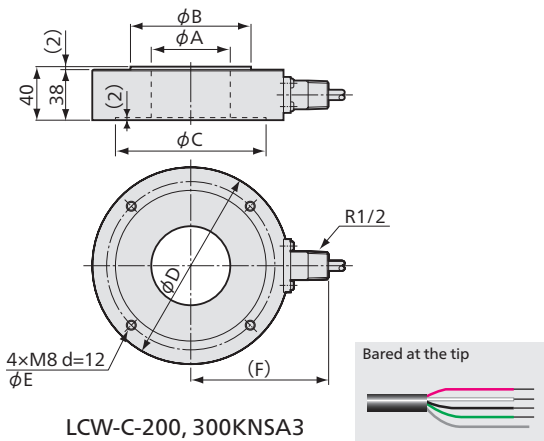
Extremely simple structure facilitates handling and maintenance. Widely applicable for bolt tension control, press forming, etc.

#### ■ Dimensions



LCW-C-10, 20KNSA3

LCW-C-50, 100KNSA3



LCW-C-200, 300KNSA3

#### Specifications

##### Performance

Rated Capacity	See table below.
Nonlinearity	Within ±1% RO
Hysteresis	Within ±1% RO
Rated Output	Approx. 1 mV/V

##### Environmental Characteristics

Safe Temperature	-35 to 80°C
Compensated Temperature	-10 to 70°C
Temperature Effect on Zero	Within ±0.01% RO/°C
Temperature Effect on Output	Within ±0.01%/°C

##### Electrical Characteristics

Safe Excitation	15 V AC or DC
Recommended Excitation	1 to 10 V AC or DC
Input Resistance	350 Ω ±1%
Output Resistance	350 Ω ±1%
Cable	4-conductor (0.3 mm <sup>2</sup> ) chloroprene shielded cable, 7.6 mm diameter by 5 m long, bared at the tip (Shield wire is not connected to the case.)

##### Mechanical Properties

Safe Overloads	150%
Weight	See table below.

Models	Rated Capacity	φA	φB	φC	φD	φE	(F)	Weight* (Approx.)
LCW-C-10KN25SA3	10 kN	25	42	64	80	70	87	0.6 kg
LCW-C-10KN35SA3		35	52	74	90	80	92	0.7 kg
LCW-C-10KN45SA3		45	62	84	100	90	97	0.8 kg
LCW-C-10KN55SA3		55	72	94	110	100	102	0.9 kg
LCW-C-10KN65SA3	20 kN	65	82	104	120	110	107	1.0 kg
LCW-C-20KN25SA3		25	42	64	80	70	87	0.6 kg
LCW-C-20KN35SA3		35	52	74	90	80	92	0.7 kg
LCW-C-20KN45SA3		45	62	84	100	90	97	0.8 kg
LCW-C-20KN55SA3	55	72	94	110	100	102	0.9 kg	
LCW-C-20KN65SA3	65	82	104	120	110	107	1.0 kg	
LCW-C-50KN30SA3	50 kN	30	52	74	108	90	85	1.7 kg
LCW-C-50KN40SA3		40	62	84	118	100	90	1.9 kg
LCW-C-50KN50SA3		50	72	94	128	110	95	2.1 kg
LCW-C-50KN60SA3		60	82	104	138	120	100	2.3 kg
LCW-C-50KN70SA3	70	92	114	148	130	105	2.5 kg	
LCW-C-50KN80SA3	80	102	124	158	140	110	2.7 kg	
LCW-C-100KN30SA3	100 kN	30	52	74	108	90	85	1.7 kg
LCW-C-100KN40SA3		40	62	84	118	100	90	1.9 kg
LCW-C-100KN50SA3		50	72	94	128	110	95	2.1 kg
LCW-C-100KN60SA3		60	82	104	138	120	100	2.3 kg
LCW-C-100KN70SA3	70	92	114	148	130	105	2.5 kg	
LCW-C-100KN80SA3	80	102	124	158	140	110	2.7 kg	
LCW-C-200KN60SA3	200 kN	60	92	114	148	130	105	3.7 kg
LCW-C-200KN70SA3		70	102	124	158	140	110	4.1 kg
LCW-C-200KN80SA3		80	112	134	168	150	115	4.4 kg
LCW-C-200KN90SA3		90	122	144	178	160	121	4.8 kg
LCW-C-200KN100SA3	100	132	154	188	170	126	5.1 kg	
LCW-C-300KN60SA3	300 kN	60	92	114	148	130	105	3.7 kg
LCW-C-300KN70SA3		70	102	124	158	140	110	4.1 kg
LCW-C-300KN80SA3		80	112	134	168	150	115	4.4 kg
LCW-C-300KN90SA3		90	122	144	178	160	121	4.8 kg
LCW-C-300KN100SA3	100	132	154	188	170	126	5.1 kg	

\*Excluding cable

● Physical quantity indication

● Dynamic measurement

LCW-C-SA3  
Recommended  
products for  
combination

