

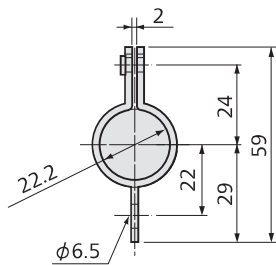
# DTT-A/DTS-A

Displacement Transducer    DTT-A: Potentiometer output  
DTS-A: Strain-gage output



- Reduce creep
- Both tension and compression
- Fast response (DC to 50 Hz when the tip is fixed)

● Mounting Band FXBP-100A



Specifications

Performance

Rated Capacity	100 mm
Nonlinearity	See table below.
Hysteresis	See table below.
Repeatability	0.1% RO or less
Rated Output	See table below.

Environmental Characteristics

Safe Temperature	-10 to 70°C (Non-condensing)
Compensated Temperature	0 to 60°C (Non-condensing)
Temperature Effect on Zero	Within ±0.05% RO/°C
Temperature Effect on Output	Within ±0.05%/°C

Electrical Characteristics

Safe Excitation	See table below.
Recommended Excitation	See table below.
I/O Resistance	See table below.
Cable	4-conductor (0.08 mm <sup>2</sup> ) vinyl shielded cable, 3.2 mm diameter by 1 m long, terminated with a connector plug PRC03-12A10-7M (Shield wire is not connected to the case.)

Mechanical Properties

Frequency Response	DC to approx. 6 Hz (When the tip is touching to the testing machine, displacement: 100 mm) (Reference: DC to approx. 50 Hz, when the tip is fixed, displacement: 30 mm)
Measuring Force	Approx. 5 N
Weight	Approx. 110 g (Excluding cable)
Degree of Protection	IP40 (IEC 60529)
Compliance	Directive 2011/65/EU (RoHS)

Standard Accessories    Mounting band FXBP-100A 2 PC.  
Adapter 1 PC.

Optional Accessories    (For details, see page 2-155.)

Extension rods: EB-50, EB-100, EB-200, EB-300

Mounting band    FXBP-100A

Replacement probes: X, XS, SH

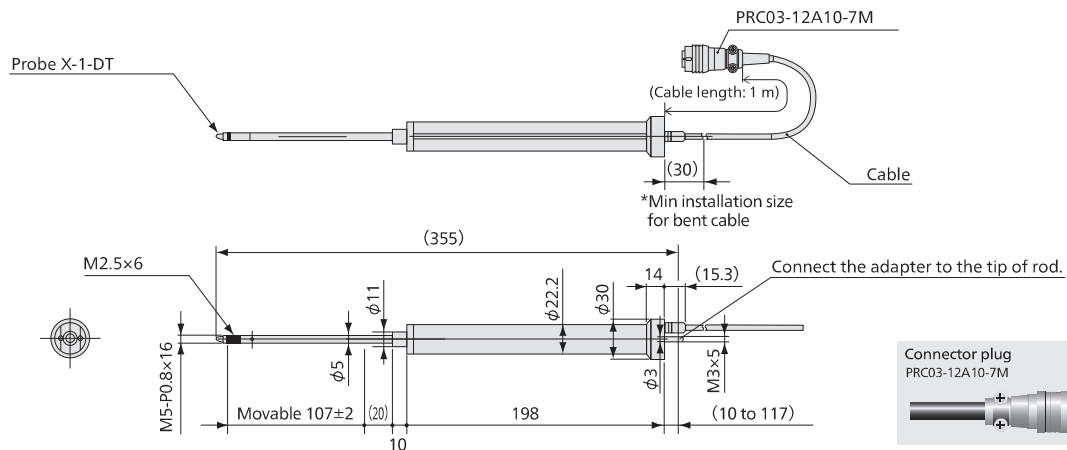
(Note 1) Do not apply any displacement in other than expansion/contraction direction of the rod.

(Note 2) For DTT-A, a measuring instrument applicable for potentiometer or voltage signals is required.

Models	Nonlinearity	Hysteresis	Rated Output	Safe Excitation	Recommended Excitation	Resistance
● DTT-A-100	Within ±0.2% RO	Within ±0.2% RO	0.9 V/V±10% (Voltage output)	36 VDC (at 23°C)	2 to 10 VDC	1 k Ω ±20%
● DTS-A-100	Within ±0.3% RO	Within ±0.3% RO	2.5 mV/V ±10%	10 V AC or DC	1 to 5 V AC or DC	In: 350 Ω ±3% Out: 255 Ω ±10%

● For delivery date, please contact us.

■ Dimensions



● Static measurement

● Dynamic measurement

DTT-A/DTS-A Recommended products for combination

Data Logger UCAM-60 series → 3-29

Fast Data Logger UCAM-550A → 3-35

Universal Recorder EDX-200A → 3-57

Universal Recorder EDX-100A → 3-65

Memory Recorder/Analyzer EDX-5000A → 3-69

