

ASH-A

● 98.07 to 9807 m/s²

Small-sized High Frequency Response Acceleration Transducer

2
-118

TRANSDUCERS



*TEDS-installed models are available. Inquiries are welcome.

Specifications

Performance

Rated Capacity	See table below.
Nonlinearity	Within ±1% RO
Hysteresis	Within ±1% RO
Rated Output	See table below.

Environmental Characteristics

Safe Temperature	-15 to 65°C
Compensated Temperature	5 to 40°C
Temperature Effect on Zero	Within ±1% RO/°C
Temperature Effect on Output	Within ±1%/°C

Electrical Characteristics

Safe Excitation	6 V AC or DC
Recommended Excitation	2 V AC or DC
Input Resistance	See table below.
Output Resistance	See table below.
Cable	4-conductor (0.08 mm ²) vinyl shielded cable, 3.2 mm diameter by 5 m long, terminated with a connector plug PRC03-12A10-7M (Shield wire is not connected to the case.)

Mechanical Properties

Safe Overloads	300%
Frequency Response	See table below.
Transverse Sensitivity	2% RO or less
Weight	See table below.

Compact and lightweight design resulting in slight effects on vibration mode

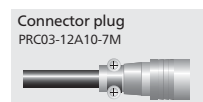
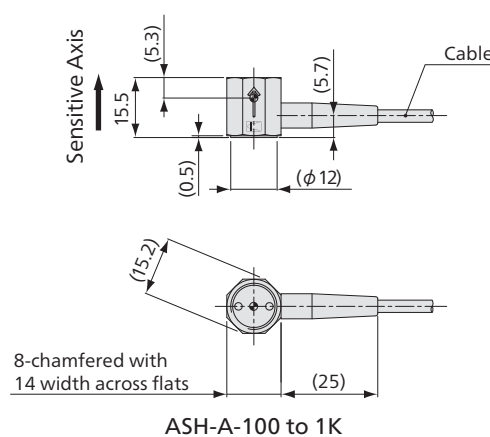
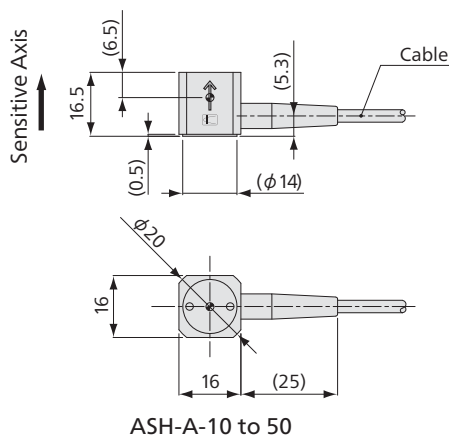
Compact and lightweight design of ASH-A series acceleration transducers do not disturb vibration mode of objects by installing these transducers. In addition, it is easy to install ASH-A acceleration transducers by adhesives like CC-33A.

Models	Rated Capacity (Reference Value)	Rated Output	Input Resistance	Output Resistance	Frequency Response (At 23°C)	Weight (Approx.)*
ASH-A-10	±98.07 m/s ² (±10 G)	0.5 mV/V ±25%	120 Ω ±5%	120 Ω ±5%	DC to 500 Hz Sensitivity deviation ±5%	13 g
ASH-A-20	±196.1 m/s ² (±20 G)				DC to 650 Hz Sensitivity deviation ±5%	
ASH-A-50	±490.3 m/s ² (±50 G)				DC to 1.5 kHz Sensitivity deviation ±5%	
ASH-A-100	±980.7 m/s ² (±100 G)	0.5 mV/V ±20%	120 Ω ±8.3%	120 Ω ±8.3%	DC and 20 Hz to 2 kHz Sensitivity deviation ±5%	6.5 g
ASH-A-200	±1961 m/s ² (±200 G)				DC and 20 Hz to 3.5 kHz Sensitivity deviation ±5%	
●ASH-A-500	±4903 m/s ² (±500 G)				DC and 40 Hz to 5 kHz Sensitivity deviation ±10%	
●ASH-A-1K	±9807 m/s ² (±1000 G)				DC and 40 Hz to 7 kHz Sensitivity deviation ±10%	

● For delivery date, please contact us.

*Excluding cable

Dimensions



⊙ indicates the centroid of element.



Outline

General

Piezoelectric

Gyro