

SYNTHESIS GAMMA AR

Automatic sachet lines



Pharma solutions

Complete Automatic Lines



SINCE 1965

SYNTHESIS GAMMA AR

Automatic sachet lines

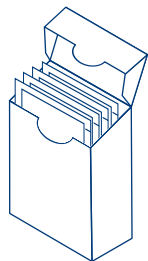
Complete automatic sachet lines entirely designed and constructed by Universal Pack composed of GAMMA sachet machines, counting & stacking groups and horizontal cartoning machines equipped with suitable dosing systems for the packaging of powders, granules, liquids, tablets in sachets and subsequent automatic introduction into pre-glued cartons.



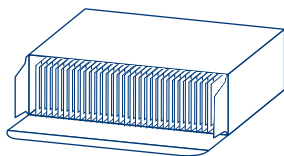
Main features

- URS driven project design
- Minimum and adaptable footprint
- Preventive maintenance for downtime reduction
- Monoblock integrated line for maximum OEE
- Total flexibility in counts
- Lane by lane checkweighing with automatic feedback
- Zero maintenance pick'n'place system

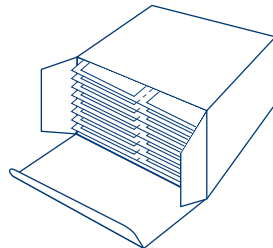
Box Style



Head opening

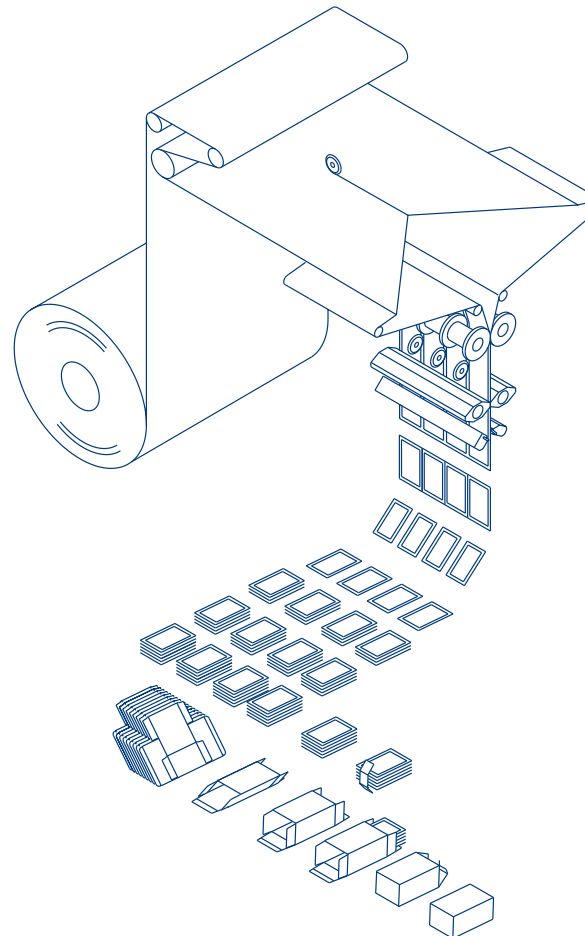


Side opening with on edge placement



Side opening

Functional diagram



SINCE 1965

www.universalpack.it